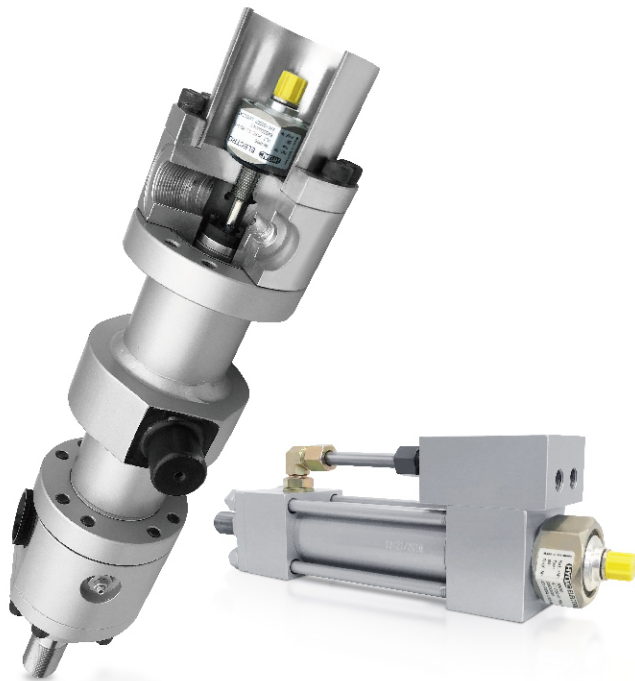


ASHUN

Heavy Duty Metric Mill Types |

- ◀ AH series (ISO 6022)
- ◀ AK series (ISO 6020-1)
- ◀ AT series (ISO 6020-2)



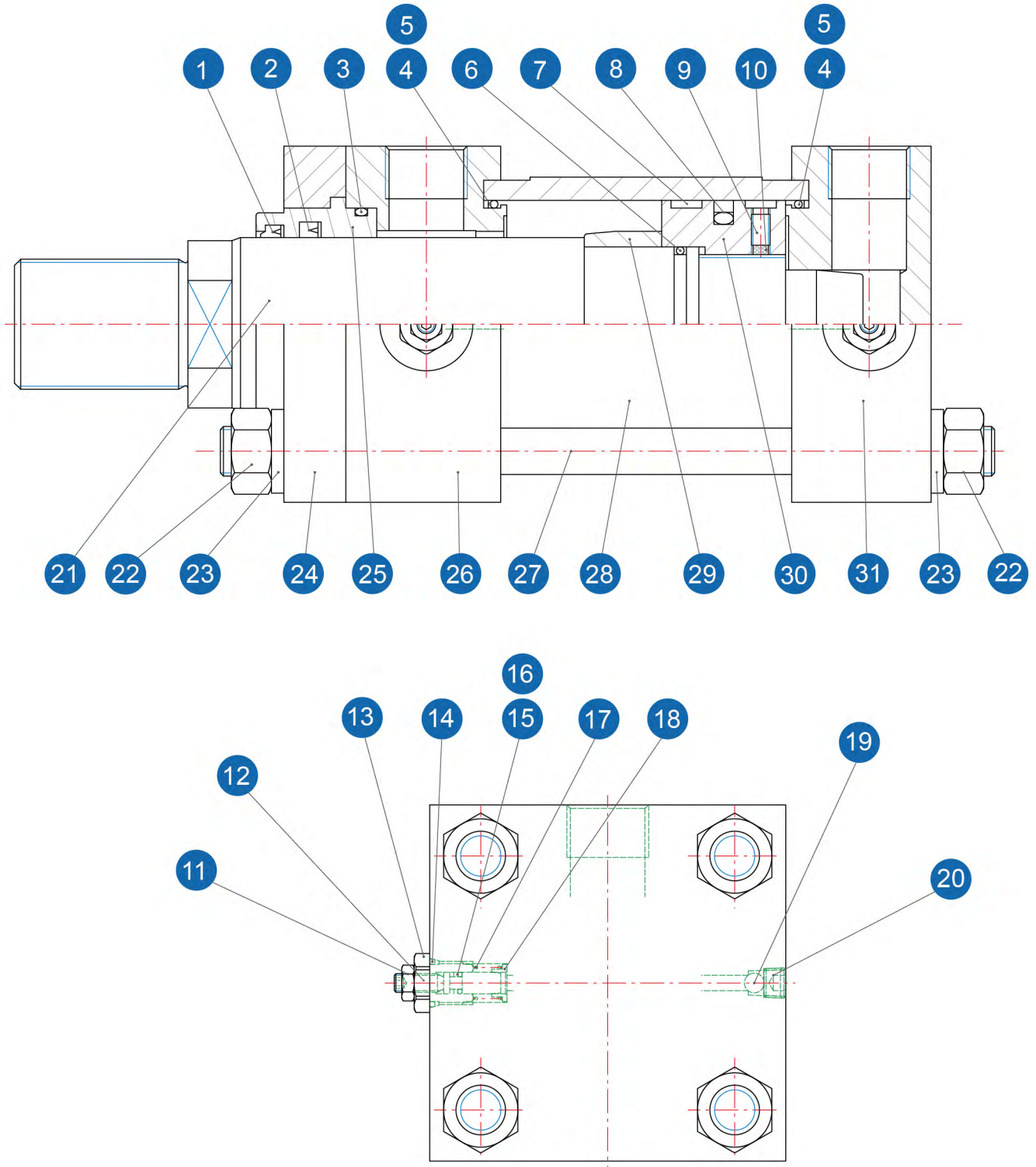
Jan. 2017

油順精密股份有限公司
ASHUN FLUID POWER CO., LTD.

www.ashun.com

- **ISO 6020-2** 16MPa Standard Hydraulic Cylinders
ME5 / ME6 / MP1 / MP3 / MP5 / MS2 / MT1 / MT2 / MT4

Parts List



STANDARD CYLINDERS

NO	Description
1	Dust Wiper
2	Rod Seal
3	O Ring
4	O Ring
5	Backup Ring
6	O Ring
7	Wearing Ring
8	Piston Seal
9	Screw Stop Pin
10	Copper Bushing

NO	Description
11	Nut
12	Cushion Pin
13	Cushion Pin Cap
14	O Ring
15	O Ring
16	Backup Ring
17	Spring
18	Cushion Pin Sleeve
19	Ball Bearing
20	PT Stopper

NO	Description
21	Piston Rod
22	Nut
23	Washer
24	End Plate
25	Rod Bush
26	Front Cap
27	Tie Bolt
28	Cylinder Tube
29	Cushion Sleeve
30	Piston
31	End Cap

ISO 6020-2 16MPa Standard Hydraulic Cylinders

ME5 / ME6 / MP1 / MP3 / MP5 / MS2 / MT1 / MT2 / MT4

HOW TO ORDER

Model Code:

AT R - MT4 - 063 - B - A A - 028 - B - B B - D D - 0100 - T15 - T1 - ES2

SERIES

SENSORS

Magnet + Sensors Switch = **R**
 Linear Position Transmitter = **S**
 Proximity Sensors = **T**
 (No Symbol - No Device)

MOUNTING TYPES

Rectangular Flange at Head = **ME5**
 Rectangular Flange at Base = **ME6**
 Clevis Mounting = **MP1**
 Plain Clevis at Base = **MP3**
 Self-aligning Clevis at Base = **MP5**
 Foot Mounting = **MS2**
 Trunnion at Head = **MT1**
 Trunnion at Base = **MT2**
 Trunnion = **MT4**

BORE

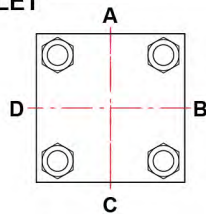
Piston Ø 25 to 200 mm

SEAL

Standard (-20° C~+80° C) = **B**
 Viton (-20° C~+150° C) = **C**

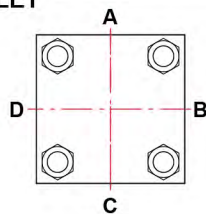
POSITION OF OIL INLET

Location at Head
A = Standard



POSITION OF OIL INLET

Location at Base
A = Standard



ROD

Piston Rod Ø 12 to 140 mm
 (S45C = Standard)

CUSHION DEVICE

Front and Rear = **B**
 Front only = **X**
 Rear only = **Y**
 None = **N**

SENSORS SWITCH

Only Front Rear = **ES1** /
 Front and Rear = **ES2** /
 Position Not Fixed = **ES3** /
 Position Not Fixed = **ES4** /
 Position Not Fixed = **ES5** /
 (No Symbol "R" - No Accessory)

ROD ACCESSORY

Please Refer Page 27 ~ 30
 (No Symbol - No Accessory)

BORE ACCESSORY

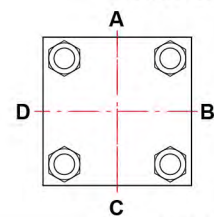
Please Refer Page 27 ~ 30
 (No Symbol - No Accessory)

STROKE

Stroke Length in mm

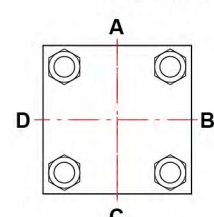
POSITION OF AIR VENT

Location at Base
D = Standard



POSITION OF AIR VENT

Location at Head
D = Standard



POSITION OF CUSHION

Location at Base
 Please Refer Oil Inlet Configuration
B = Standard

POSITION OF CUSHION

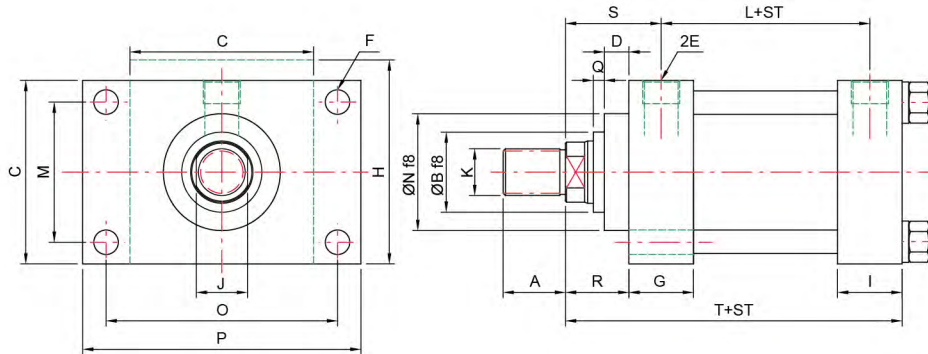
Location at Head
 Please Refer Oil Inlet Configuration
B = Standard

SPACERS

0 mm . For stroke of 0 ~ 1000 mm
50 mm . For stroke of 1001 ~ 1500 mm
100 mm . For stroke of 1501 ~ 2000 mm
150 mm . For stroke of 2001 ~ 2500 mm
200 mm . For stroke of 2501 ~ 3000 mm

The Cylinder Length is increased

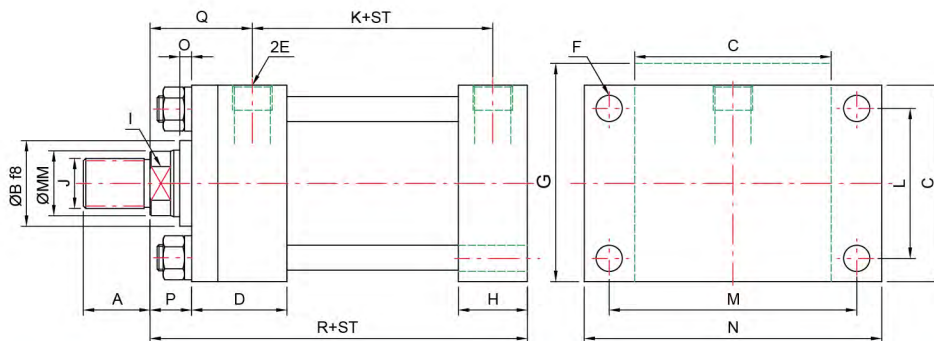
AT-ME5



DIMENSION

BORE	MM	A	B	C	D	E	F	G	H	I	J	K	L	M	N	O	P	Q	R	S	T
Ø25	12 / 18	14 / 18	24 / 30	40	10	1/4"G	4xØ5.5	25	45	25	10 / 15	M10xP1.25 / M14xP1.5	53	27	38	51	65	6	25	50	114
Ø32	14 / 22	16 / 22	26 / 34	45	10	1/4"G	4xØ6.5	25	50	25	12 / 18	M12xP1.25 / M16xP1.5	56	33	42	58	70	12	35	60	128
Ø40	18 / 28	18 / 28	30 / 42	63	10	3/8"G	4xØ11	38	-	38	15 / 22	M14xP1.5 / M20xP1.5	73	41	62	87	110	12	35	62	153
Ø50	22 / 36	22 / 36	34 / 50	75	16	1/2"G	4xØ14	38	-	38	18 / 30	M16xP1.5 / M27xP2.0	74	52	74	105	130	9	41	67	159
Ø63	28 / 45	28 / 45	42 / 60	90	16	1/2"G	4xØ14	38	-	38	22 / 36	M20xP1.5 / M33xP2.0	80	65	75 / 88	117	145	13	48	71	168
Ø80	36 / 56	36 / 56	50 / 72	115	20	3/4"G	4xØ18	45	-	45	30 / 46	M27xP2.0 / M42xP2.0	93	83	82 / 105	149	180	9	51	77	190
Ø100	45 / 70	45 / 63	60 / 88	130	22	3/4"G	4xØ18	45	-	45	36 / 60	M33xP2.0 / M48xP2.0	101	97	92 / 125	162	200	10	57	82	203
Ø125	56 / 90	56 / 85	72 / 108	165	22	1"G	4xØ22	58	-	58	46 / 2xØ10	M42xP2.0 / M64xP3.0	117	126	105 / 150	208	250	10	57	86	232
Ø160	70 / 110	63 / 95	88 / 133	205	25	1"G	4xØ26	58	-	58	60 / 2xØ10	M48xP2.0 / M80xP3.0	130	155	125 / 170	253	300	7	57	86	245
Ø200	90 / 140	85 / 112	108 / 163	245	25	1 1/4"G	4xØ33	76	-	76	2xØ10	M64xP3.0 / M100xP3.0	165	190	150 / 210	300	360	7	57	98	299

AT-ME6



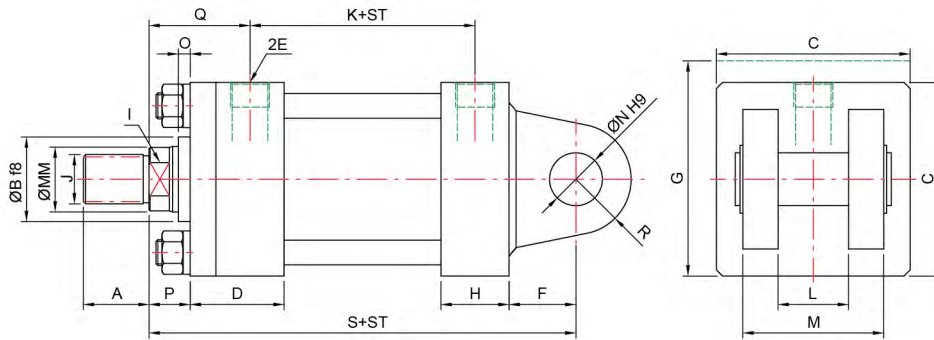
DIMENSION

BORE	MM	A	B	C	D	E	F	G	H	I	J	K	L	M	N	O	P	Q	R
Ø25	12 / 18	14 / 18	24 / 30	40	50	1/4"G	4xØ5.5	45	25	10 / 15	M10xP1.25 / M14xP1.5	53	27	51	65	6	15	50	114
Ø32	14 / 22	16 / 22	26 / 34	45	50	1/4"G	4xØ6.5	50	25	12 / 18	M12xP1.25 / M16xP1.5	56	33	58	70	12	25	60	128
Ø40	18 / 28	18 / 28	30 / 42	63	55	3/8"G	4xØ11	-	38	15 / 22	M14xP1.5 / M20xP1.5	73	41	87	110	12	25	62	153
Ø50	22 / 36	22 / 36	34 / 50	75	61	1/2"G	4xØ14	-	38	18 / 30	M16xP1.5 / M27xP2	74	52	105	130	9	25	67	159
Ø63	28 / 45	28 / 45	42 / 60	90	61	1/2"G	4xØ14	-	38	22 / 36	M20xP1.5 / M33xP2	80	65	117	145	13	32	71	168
Ø80	36 / 56	36 / 56	50 / 72	115	70	3/4"G	4xØ18	-	45	30 / 46	M27xP2 / M42xP2	93	83	149	180	9	31	77	190
Ø100	45 / 70	45 / 63	60 / 88	130	72	3/4"G	4xØ18	-	45	36 / 60	M33xP2 / M48xP2	101	97	162	200	10	35	82	203
Ø125	56 / 90	56 / 85	72 / 108	165	80	1"G	4xØ22	-	58	46 / 2xØ10	M42xP2 / M64xP3	117	126	208	250	10	35	86	232
Ø160	70 / 110	63 / 95	88 / 133	205	83	1"G	4xØ26	-	58	60 / 2xØ10	M48xP2 / M80xP3	130	155	253	300	7	32	86	245
Ø200	90 / 140	85 / 112	108 / 163	245	101	1 1/4"G	4xØ33	-	76	2xØ10	M64xP3 / M100xP3	165	190	300	360	7	32	98	299

Standard Cylinders 6020-2 AT

ISO 6020-2 16MPa Standard Hydraulic Cylinders

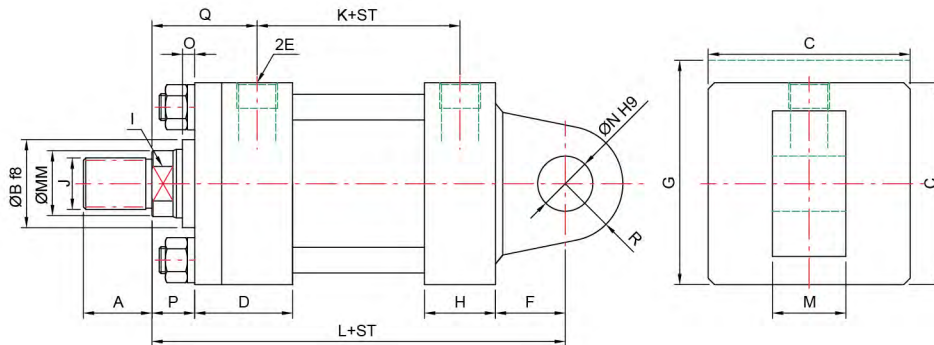
AT-MP1



DIMENSION

BORE	MM	A	B	C	D	E	F	G	H	I	J	K	L	M	N	O	P	Q	R	S
Ø25	12 / 18	14 / 18	24 / 30	40	50	1/4"G	13	45	25	10 / 15	M10xP1.25 / M14xP1.5	53	12	24	10	6	15	50	10	127
Ø32	14 / 22	16 / 22	26 / 34	45	50	1/4"G	19	50	25	12 / 18	M12xP1.25 / M16xP1.5	56	16	32	12	12	25	60	14	147
Ø40	18 / 28	18 / 28	30 / 42	63	55	3/8"G	19	-	38	15 / 22	M14xP1.5 / M20xP1.5	73	20	40	14	12	25	62	14	172
Ø50	22 / 36	22 / 36	34 / 50	75	61	1/2"G	32	-	38	18 / 30	M16xP1.5 / M27xP2	74	30	60	20	9	25	67	24	191
Ø63	28 / 45	28 / 45	42 / 60	90	61	1/2"G	32	-	38	22 / 36	M20xP1.5 / M33xP2	80	30	60	20	13	32	71	24	200
Ø80	36 / 56	36 / 56	50 / 72	115	70	3/4"G	39	-	45	30 / 46	M27xP2 / M42xP2	93	40	80	28	9	31	77	30	229
Ø100	45 / 70	45 / 63	60 / 88	130	72	3/4"G	54	-	45	36 / 60	M33xP2 / M48xP2	101	50	100	36	10	35	82	40	257
Ø125	56 / 90	56 / 85	72 / 108	165	80	1"G	57	-	58	46 / 2xØ10	M42xP2 / M64xP3	117	60	120	45	10	35	86	47	289
Ø160	70 / 110	63 / 95	88 / 133	205	83	1"G	63	-	58	60 / 2xØ10	M48xP2 / M80xP3	130	70	140	56	7	32	86	54	308
Ø200	90 / 140	85 / 112	108 / 163	245	101	1 1/4"G	82	-	76	2xØ10	M64xP3 / M100xP3	165	80	160	70	7	32	98	70	381

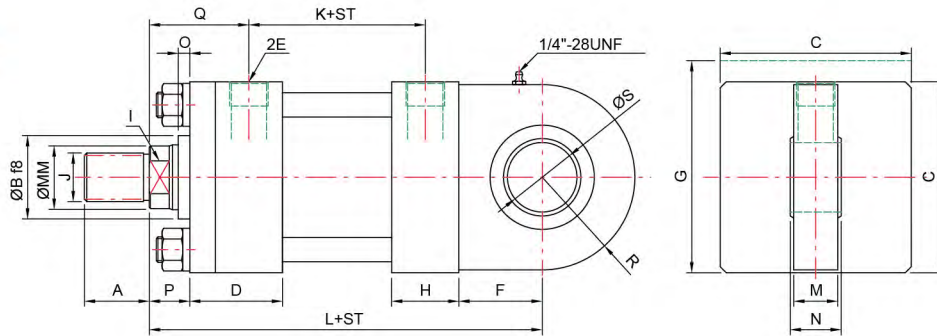
AT-MP3



DIMENSION

BORE	MM	A	B	C	D	E	F	G	H	I	J	K	L	M	N	O	P	Q	R
Ø25	12 / 18	14 / 18	24 / 30	40	50	1/4"G	13	45	25	10 / 15	M10xP1.25 / M14xP1.5	53	127	12	10	6	15	50	10
Ø32	14 / 22	16 / 22	26 / 34	45	50	1/4"G	19	50	25	12 / 18	M12xP1.25 / M16xP1.5	56	147	16	12	12	25	60	14
Ø40	18 / 28	18 / 28	30 / 42	63	55	3/8"G	19	-	38	15 / 22	M14xP1.5 / M20xP1.5	73	172	20	14	12	25	62	14
Ø50	22 / 36	22 / 36	34 / 50	75	61	1/2"G	32	-	38	18 / 30	M16xP1.5 / M27xP2	74	191	30	20	9	25	67	24
Ø63	28 / 45	28 / 45	42 / 60	90	61	1/2"G	32	-	38	22 / 36	M20xP1.5 / M33xP2	80	200	30	20	13	32	71	24
Ø80	36 / 56	36 / 56	50 / 72	115	70	3/4"G	39	-	45	30 / 46	M27xP2 / M42xP2	93	229	40	28	9	31	77	30
Ø100	45 / 70	45 / 63	60 / 88	130	72	3/4"G	54	-	45	36 / 60	M33xP2 / M48xP2	101	257	50	36	10	35	82	40
Ø125	56 / 90	56 / 85	72 / 108	165	80	1"G	57	-	58	46 / 2xØ10	M42xP2 / M64xP3	117	289	60	45	10	35	86	47
Ø160	70 / 110	63 / 95	88 / 133	205	83	1"G	63	-	58	60 / 2xØ10	M48xP2 / M80xP3	130	308	70	56	7	32	86	54
Ø200	90 / 140	85 / 112	108 / 163	245	101	1 1/4"G	82	-	76	2xØ10	M64xP3 / M100xP3	165	381	80	70	7	32	98	70

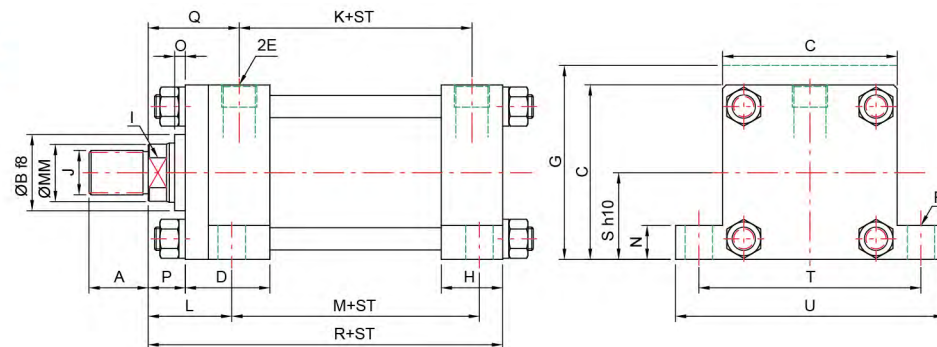
AT-MP5



DIMENSION

BORE	MM	A	B	C	D	E	F	G	H	I	J	K	L	M	N	O	P	Q	R	S
Ø25	12 / 18	14 / 18	24 / 30	40	50	1/4"G	16	45	25	10 / 15	M10xP1.25 / M14xP1.5	53	130	8	10	6	15	50	20	12
Ø32	14 / 22	16 / 22	26 / 34	45	50	1/4"G	20	50	25	12 / 18	M12xP1.25 / M16xP1.5	56	148	11	14	12	25	60	22.5	16
Ø40	18 / 28	18 / 28	30 / 42	63	55	3/8"G	25	-	38	15 / 22	M14xP1.5 / M20xP1.5	73	178	13	16	12	25	62	29	20
Ø50	22 / 36	22 / 36	34 / 50	75	61	1/2"G	31	-	38	18 / 30	M16xP1.5 / M27xP2	74	190	17	20	9	25	67	33	25
Ø63	28 / 45	28 / 45	42 / 60	90	61	1/2"G	38	-	38	22 / 36	M20xP1.5 / M33xP2	80	206	19	22	13	32	71	40	30
Ø80	36 / 56	36 / 56	50 / 72	115	70	3/4"G	48	-	45	30 / 46	M27xP2 / M42xP2	93	238	23	28	9	31	77	50	40
Ø100	45 / 70	45 / 63	60 / 88	130	72	3/4"G	58	-	45	36 / 60	M33xP2 / M48xP2	101	261	30	35	10	35	82	32	50
Ø125	56 / 90	56 / 85	72 / 108	165	80	1"G	72	-	58	46 / 2xØ10	M42xP2 / M64xP3	117	304	38	44	10	35	86	80	60
Ø160	70 / 110	63 / 95	88 / 133	205	83	1"G	92	-	58	60 / 2xØ10	M48xP2 / M80xP3	130	337	47	55	7	32	86	100	80
Ø200	90 / 140	85 / 112	108 / 163	245	101	1 1/4"G	116	-	76	2xØ10	M64xP3 / M100xP3	165	415	57	70	7	32	98	120	100

AT-MS2



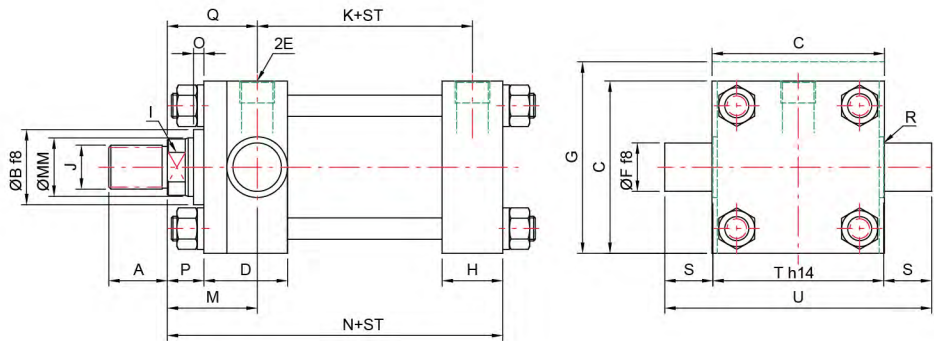
DIMENSION

BORE	MM	A	B	C	D	E	F	G	H	I	J	K	L	M	N	O	P	Q	R	S	T	U
Ø25	12 / 18	14 / 18	24 / 30	40	50	1/4"G	4xØ6.5	45	25	10 / 15	M10xP1.25/M14xP1.5	53	33	73	8.5	6	15	50	114	19	54	72
Ø32	14 / 22	16 / 22	26 / 34	45	50	1/4"G	4xØ9	50	25	12 / 18	M12xP1.25/M16xP1.5	56	45	73	12.5	12	25	60	128	22	63	84
Ø40	18 / 28	18 / 28	30 / 42	63	55	3/8"G	4xØ11	-	38	15 / 22	M14xP1.5 / M20xP1.5	73	45	98	12.5	12	25	62	153	31	83	103
Ø50	22 / 36	22 / 36	34 / 50	75	61	1/2"G	4xØ14	-	38	18 / 30	M16xP1.5 / M27xP2	74	54	92	19	9	25	67	159	37	102	127
Ø63	28 / 45	28 / 45	42 / 60	90	61	1/2"G	4xØ18	-	38	22 / 36	M20xP1.5 / M33xP2	80	65	86	26	13	32	71	168	44	124	161
Ø80	36 / 56	36 / 56	50 / 72	115	70	3/4"G	4xØ18	-	45	30 / 46	M27xP2 / M42xP2	93	68	105	26	9	31	77	190	57	149	186
Ø100	45 / 70	45 / 63	60 / 88	130	72	3/4"G	4xØ26	-	45	36 / 60	M33xP2 / M48xP2	101	79	102	32	10	35	82	203	63	172	216
Ø125	56 / 90	56 / 85	72 / 108	165	80	1"G	4xØ26	-	58	46 / 2xØ10	M42xP2 / M64xP3	117	79	131	32	10	35	86	232	82	210	254
Ø160	70 / 110	63 / 95	88 / 133	205	83	1"G	4xØ33	-	58	60 / 2xØ10	M48xP2 / M80xP3	130	86	130	38	7	32	86	245	101	260	318
Ø200	90 / 140	85 / 112	108 / 163	245	101	1 1/4"G	4xØ39	-	76	2xØ10	M64xP3 / M100xP3	165	92	172	44	7	32	98	299	122	311	381

Standard Cylinders 6020-2 AT

ISO 6020-2 16MPa Standard Hydraulic Cylinders

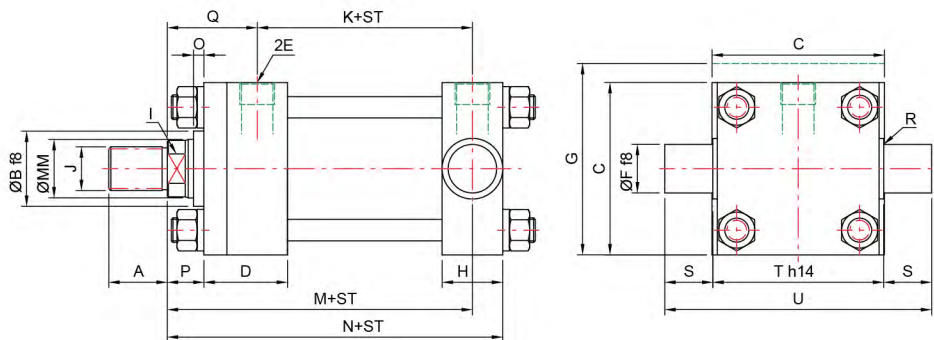
AT-MT1



DIMENSION

BORE	MM	A	B	C	D	E	F	G	H	I	J	K	M	N	O	P	Q	R	S	T	U
Ø25	12 / 18	14 / 18	24 / 30	40	50	1/4"G	12	45	25	10 / 15	M10xP1.25 / M14xP1.5	53	44	114	6	15	50	1	10	38	58
Ø32	14 / 22	16 / 22	26 / 34	45	50	1/4"G	16	50	25	12 / 18	M12xP1.25 / M16xP1.5	56	54	128	12	25	60	1	12	44	68
Ø40	18 / 28	18 / 28	30 / 42	63	55	3/8"G	20	-	38	15 / 22	M14xP1.5 / M20xP1.5	73	57	153	12	25	62	1	16	63	95
Ø50	22 / 36	22 / 36	34 / 50	75	61	1/2"G	25	-	38	18 / 30	M16xP1.5 / M27xP2.0	74	64	159	9	25	67	2	20	76	116
Ø63	28 / 45	28 / 45	42 / 60	90	61	1/2"G	32	-	38	22 / 36	M20xP1.5 / M33xP2.0	80	70	168	13	32	71	2	25	89	139
Ø80	36 / 56	36 / 56	50 / 72	115	70	3/4"G	40	-	45	30 / 46	M27xP2.0 / M42xP2.0	93	76	190	9	31	77	2	32	114	178
Ø100	45 / 70	45 / 63	60 / 88	130	72	3/4"G	50	-	45	36 / 60	M33xP2.0 / M48xP2.0	101	71	203	10	35	82	2	40	127	207
Ø125	56 / 90	56 / 85	72 / 108	165	80	1"G	63	-	58	46 / 2xØ10	M42xP2.0 / M64xP3.0	117	75	232	10	35	86	2	50	165	265
Ø160	70 / 110	63 / 95	88 / 133	205	88	1"G	80	-	58	60 / 2xØ10	M48xP2.0 / M80xP3.0	130	75	250	7	32	91	2	63	203	329
Ø200	90 / 140	85 / 112	108 / 163	245	108	1 1/4"G	100	-	76	2xØ10	M64xP3.0 / M100xP3.0	165	85	306	7	32	105	2	80	241	401

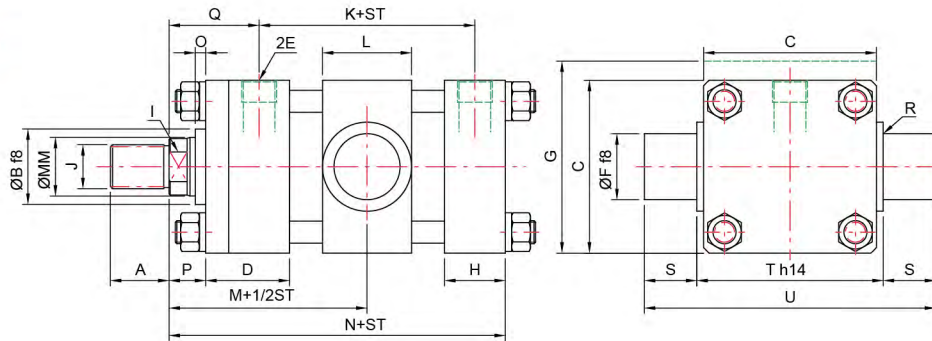
AT-MT2



DIMENSION

BORE	MM	A	B	C	D	E	F	G	H	I	J	K	M	N	O	P	Q	R	S	T	U
Ø25	12 / 18	14 / 18	24 / 30	40	50	1/4"G	12	45	25	10 / 15	M10xP1.25 / M14xP1.5	53	101	114	6	15	50	1	10	38	58
Ø32	14 / 22	16 / 22	26 / 34	45	50	1/4"G	16	50	25	12 / 18	M12xP1.25 / M16xP1.5	56	115	128	12	25	60	1	12	44	68
Ø40	18 / 28	18 / 28	30 / 42	63	55	3/8"G	20	-	38	15 / 22	M14xP1.5 / M20xP1.5	73	134	153	12	25	62	1	16	63	95
Ø50	22 / 36	22 / 36	34 / 50	75	61	1/2"G	25	-	38	18 / 30	M16xP1.5 / M27xP2.0	74	140	159	9	25	67	2	20	76	116
Ø63	28 / 45	28 / 45	42 / 60	90	61	1/2"G	32	-	38	22 / 36	M20xP1.5 / M33xP2.0	80	149	168	13	32	71	2	25	89	139
Ø80	36 / 56	36 / 56	50 / 72	115	70	3/4"G	40	-	45	30 / 46	M27xP2.0 / M42xP2.0	93	168	190	9	31	77	2	32	114	178
Ø100	45 / 70	45 / 63	60 / 88	130	72	3/4"G	50	-	58	36 / 60	M33xP2.0 / M48xP2.0	101	187	216	10	35	82	2	40	127	207
Ø125	56 / 90	56 / 85	72 / 108	165	80	1"G	63	-	70	46 / 2xØ10	M42xP2.0 / M64xP3.0	117	209	244	10	35	86	2	50	165	265
Ø160	70 / 110	63 / 95	88 / 133	205	83	1"G	80	-	87	60 / 2xØ10	M48xP2.0 / M80xP3.0	130	230	274	7	32	86	2	63	203	329
Ø200	90 / 140	85 / 112	108 / 163	245	101	1 1/4"G	100	-	107	2xØ10	M64xP3.0 / M100xP3.0	165	276	330	7	32	98	2	80	241	401

AT-MT4



DIMENSION

BORE	MM	A	B	C	D	E	F	G	H	I	J	K	L	M	N	O	P	Q	R	S	T	U
Ø25	12 / 18	14 / 18	24 / 30	40	50	1/4"G	12	45	25	10 / 15	M10xP1.25 / M14xP1.5	53	20	77	114	6	15	50	1	10	48	68
Ø32	14 / 22	16 / 22	26 / 34	45	50	1/4"G	16	50	25	12 / 18	M12xP1.25 / M16xP1.5	56	25	89	128	12	25	60	1	12	55	79
Ø40	18 / 28	18 / 28	30 / 42	63	55	3/8"G	20	-	38	15 / 22	M14xP1.5 / M20xP1.5	73	30	97.5	153	12	25	62	1	16	76	108
Ø50	22 / 36	22 / 36	34 / 50	75	61	1/2"G	25	-	38	18 / 30	M16xP1.5 / M27xP2.0	74	40	103.5	159	9	25	67	2	20	89	129
Ø63	28 / 45	28 / 45	42 / 60	90	61	1/2"G	32	-	38	22 / 36	M20xP1.5 / M33xP2.0	80	48	111.5	168	13	32	71	2	25	100	150
Ø80	36 / 56	36 / 56	50 / 72	115	70	3/4"G	40	-	45	30 / 46	M27xP2.0 / M42xP2.0	93	55	123	190	9	31	77	2	32	127	191
Ø100	45 / 70	45 / 63	60 / 88	130	72	3/4"G	50	-	45	36 / 60	M33xP2.0 / M48xP2.0	101	65	132.5	203	10	35	82	2	40	140	220
Ø125	56 / 90	56 / 85	72 / 108	165	80	1"G	63	-	58	46 / 2xØ10	M42xP2.0 / M64xP3.0	117	85	144.5	232	10	35	86	2	50	178	278
Ø160	70 / 110	63 / 95	88 / 133	205	83	1"G	80	-	58	60 / 2xØ10	M48xP2.0 / M80xP3.0	130	105	151	245	7	32	86	2	63	215	341
Ø200	90 / 140	85 / 112	108 / 163	245	101	1 1/4"G	100	-	76	2xØ10	M64xP3.0 / M100xP3.0	165	125	178	299	7	32	98	2	80	279	439

Standard Cylinders 6020-2 AT

ISO 6020-2 16MPa Standard Hydraulic Cylinders

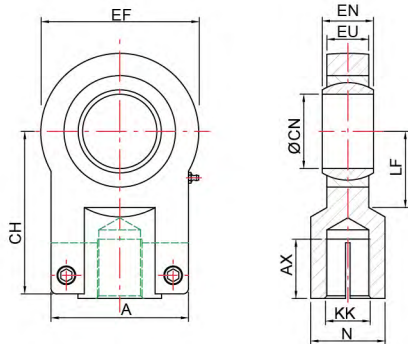
ACCESSORIES

To select the correct accessories, refer to the desired chart and look opposite the thread size of the rod end as indicated in the first column. The mating parts will be found in the same line.

- T1 ROD EYE WITH SPHERICAL BEARING
- T2 CLEVIS BRACKET
- T6 ROD CLEVIS
- T8 EYE BRACKET
- T7 ROD EYE
- T9 CLEVIS BRACKET
- T15 TRUNNION BRACKET
- T16 CLEVIS BRACKET FOR SPHERICAL BEARING
- T17 PIVOT PIN

ROD EYE WITH SPHERICAL BEARING AND MATING PARTS

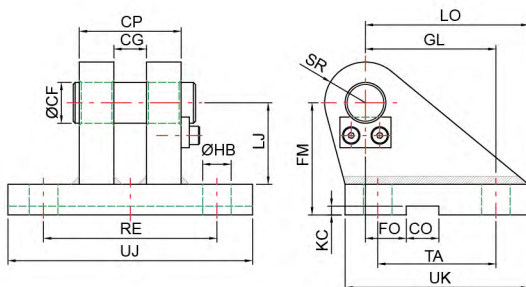
THREAD	H8 ROD EYE	CLEVIS BRACKET-PIVOT PIN
M10x1.25	T-1-12	T-2-12
M12x1.25	T-1-16	T-2-16
M14x1.5	T-1-20	T-2-20
M16x1.5	T-1-25	T-2-25
M20x1.5	T-1-30	T-2-30
M27x2	T-1-40	T-2-40
M33x2	T-1-50	T-2-50
M42x2	T-1-60	T-2-60
M48x2	T-1-80	T-2-80
M64x3	T-1-100	T-2-100



T-1

DIMENSION

REFERENCE	KK	A	AX	CN	CH	EF	EN	EU	LF	N
T-1-12	M10x1.25	40	15	12	42	40	10	8	16	17
T-1-16	M12x1.25	45	17	16	48	45	14	11	20	21
T-1-20	M14x1.5	55	19	20	58	55	16	13	25	25
T-1-25	M16x1.5	62	23	25	68	65	20	17	30	30
T-1-30	M20x1.5	77	29	30	85	80	22	19	35	36
T-1-40	M27x2	90	37	40	105	100	28	23	45	45
T-1-50	M33x2	105	46	50	130	120	35	30	58	55
T-1-60	M42x2	134	57	60	150	160	44	38	68	68
T-1-80	M48x2	156	64	80	185	205	55	47	82	90
T-1-100	M64x3	190	86	100	240	240	70	55	116	110



T-2

DIMENSION

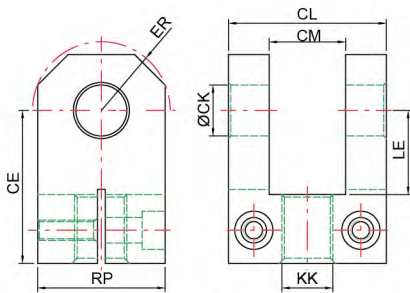
REFERENCE	CF	CG	CO	CP	FM	FO	GL	HB	KC	LJ	LO	RE	SR	TA	UJ	UK
T-2-12	12	10	10	30	40	16	46	9	3.3	29	56	55	12	40	75	60
T-2-16	16	14	16	40	50	18	61	11	4.3	38	74	70	16	55	95	80
T-2-20	20	16	16	50	55	20	64	14	4.3	40	80	85	20	58	120	90
T-2-25	25	20	25	60	65	22	78	16	5.4	49	98	100	25	70	140	110
T-2-30	30	22	25	70	85	24	97	18	5.4	63	120	115	30	90	160	135
T-2-40	40	28	36	80	100	24	123	22	8.4	73	148	135	40	120	190	170
T-2-50	50	35	36	100	125	35	155	30	8.4	92	190	170	50	145	240	215
T-2-60	60	44	50	120	150	35	187	39	11.4	110	225	200	60	185	270	260
T-2-80	80	55	50	160	190	35	255	45	11.4	142	295	240	80	260	320	340
T-2-100	100	70	63	200	210	35	285	48	12.4	152	335	300	100	300	400	400

ROD CLEVIS AND MATING PARTS

THREAD	H1 ROD CLEVIS	EYE BRACKET	H7 PIVOT PIN
M10x1.25	T-6-10	T-8-10	T-10-10
M12x1.25	T-6-12	T-8-12	T-10-12
M14x1.5	T-6-16	T-8-16	T-10-16
M16x1.5	T-6-20	T-8-20	T-10-20
M20x1.5	T-6-25	T-8-25	T-10-25
M27x2	T-6-30	T-8-30	T-10-30
M33x2	T-6-40	T-8-40	T-10-40
M42x2	T-6-50	T-8-50	T-10-50
M48x2	T-6-60	T-8-60	T-10-60
M64x3	T-6-80	T-8-80	T-10-80

T-6

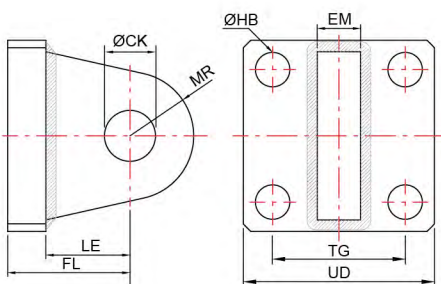
DIMENSION



REFERENCE	KK	CE	CK	CL	CM	ER	LE	RP
T-6-10	M10x1.25	32	10	26	12	12	14	21
T-6-12	M12x1.25	36	12	34	16	17	20	28
T-6-16	M14x1.5	38	14	42	20	17	20	30
T-6-20	M16x1.5	54	20	62	30	27	33	50
T-6-25	M20x1.5	60	20	62	30	27	33	50
T-6-30	M27x2	75	28	83	40	33	40	62
T-6-40	M33x2	99	36	103	50	48	55	85
T-6-50	M42x2	113	45	123	60	52	58	90
T-6-60	M48x2	126	56	143	70	59	64	112
T-6-80	M64x3	168	70	163	80	78	84	140

T-8

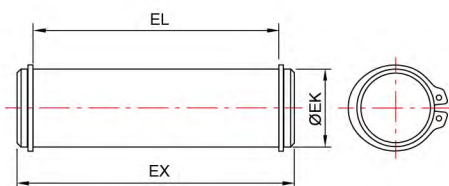
DIMENSION



REFERENCE	CK	HB	EM	FL	LE	MR	TG	UD
T-8-10	10	5.5	12	23	14	11	28.3	40
T-8-12	12	6.5	16	29	20	15	33.2	45
T-8-16	14	9	20	29	20	16	41.7	65
T-8-20	20	13.5	30	48	33	25	52.3	75
T-8-25	20	13.5	30	48	33	28	64.3	90
T-8-30	28	17.5	40	59	40	33	82.7	115
T-8-40	36	17.5	50	79	55	45	96.9	130
T-8-50	45	24	60	87	58	52	125.9	165
T-8-60	56	30	70	103	64	58	154.9	205
T-8-80	70	33	80	132	84	75	190.2	240

T-10

DIMENSION



REFERENCE	EK	EL	EX
T-10-10	10	27	34
T-10-12	12	35	43
T-10-16	14	43	51
T-10-20	20	63	73
T-10-25	20	63	73
T-10-30	28	84	95
T-10-40	36	104	117
T-10-50	45	124	139
T-10-60	56	144	161
T-10-80	70	164	181

Standard Cylinders 6020-2 AT

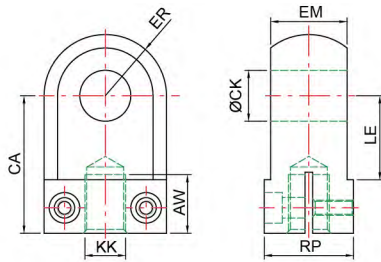
ISO 6020-2 16MPa Standard Hydraulic Cylinders

ROD EYE AND MATING PARTS

THREAD	H8 ROD EYE	H4 CLEVIS BRACKET	H7 PIVOT PIN
M10x1.25	T-7-10	T-9-10	T-10-10
M12x1.25	T-7-12	T-9-12	T-10-12
M14x1.5	T-7-16	T-9-16	T-10-16
M16x1.5	T-7-20	T-9-20	T-10-20
M20x1.5	T-7-25	T-9-25	T-10-25
M27x2	T-7-30	T-9-30	T-10-30
M33x2	T-7-40	T-9-40	T-10-40
M42x2	T-7-50	T-9-50	T-10-50
M48x2	T-7-60	T-9-60	T-10-60
M64x3	T-7-80	T-9-80	T-10-80

T-7

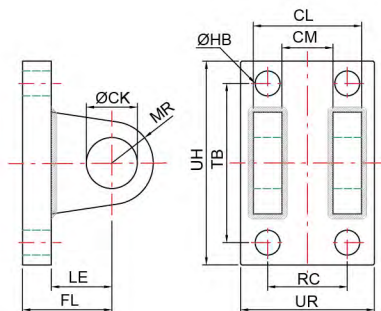
DIMENSION



REFERENCE	KK	AW	CA	CK	EM	ER	LE	RP
T-7-10	M10x1.25	15	32	10	12	11	14	19
T-7-12	M12x1.25	17	36	12	16	14	20	25
T-7-16	M14x1.5	19	38	14	20	16	20	28
T-7-20	M16x1.5	23	54	20	30	24	33	35
T-7-25	M20x1.5	29	60	20	30	24	33	40
T-7-30	M27x2	37	75	28	40	31	40	50
T-7-40	M33x2	46	99	36	50	41	55	60
T-7-50	M42x2	57	113	45	60	48	58	80
T-7-60	M48x2	64	126	56	70	58	64	90
T-7-80	M64x3	86	168	70	80	73	84	110

T-9

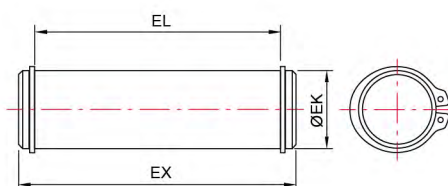
DIMENSION



REFERENCE	CK	CL	CM	FL	HB	LE	MR	RC	TB	UH	UR
T-9-10	10	26	12	23	5.5	14	11	18	47	60	35
T-9-12	12	34	16	29	6.5	20	15	24	57	73	45
T-9-16	14	42	20	29	9	20	16	30	68	88	55
T-9-20	20	62	30	48	13.5	33	25	45	102	132	80
T-9-25	20	62	30	48	13.5	33	28	45	102	132	80
T-9-30	28	83	40	59	17.5	40	33	60	135	175	100
T-9-40	36	103	50	79	17.5	55	45	75	167	212	130
T-9-50	45	123	60	87	24	58	52	90	203	238	150
T-9-60	56	143	70	103	30	64	58	105	242	302	180
T-9-80	70	163	80	132	33	84	75	120	300	370	200

T-10

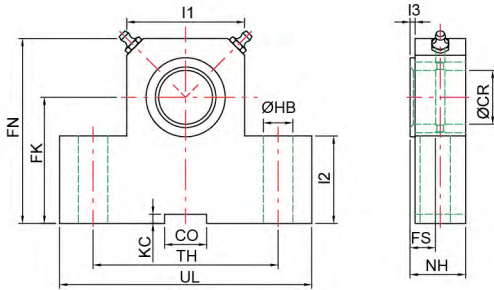
DIMENSION



REFERENCE	EK	EL	EX
T-10-10	10	27	34
T-10-12	12	35	43
T-10-16	14	43	51
T-10-20	20	63	73
T-10-25	20	63	73
T-10-30	28	84	95
T-10-40	36	104	117
T-10-50	45	124	139
T-10-60	56	144	161
T-10-80	70	164	181

T-15

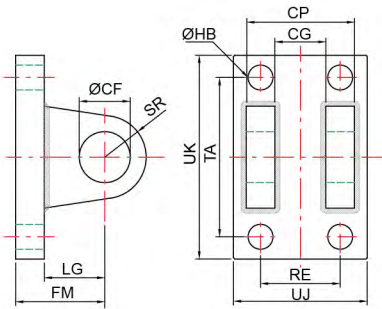
DIMENSION



REFERENCE	CR	CO	FK	FN	FS	HB	KC	NH	TH	UL	I1	I2	I3
T-15-12	12	10	38	55	8	9	3.3	17	40	63	25	25	1
T-15-16	16	16	45	65	10	11	4.3	21	50	80	30	30	1
T-15-20	20	16	55	80	10	11	4.3	21	60	90	40	38	1.5
T-15-25	25	25	65	90	12	14	5.4	26	80	110	56	45	1.5
T-15-32	32	25	75	110	15	18	5.4	33	110	150	70	52	2
T-15-40	40	36	95	140	16	22	8.4	41	125	170	88	60	2.5
T-15-50	50	36	105	150	20	26	8.4	51	160	210	90	72	2.5
T-15-63	63	50	125	195	25	33	11.4	61	200	265	136	87	3
T-15-80	80	50	150	230	31	39	11.4	81	250	325	160	112	3
T-15-100	100	63	200	300	42	52	12.4	101	320	410	200	150	4.5

T-16

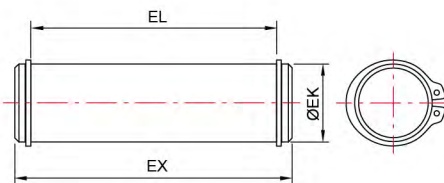
DIMENSION



REFERENCE	CF	CG	CP	FM	HB	LG	RE	SR	TA	UJ	UK
T-16-12	12	12	30	36	6.5	27	20	16	65	40	81
T-16-16	16	16	38	42	9	33	25	20	84	50	104
T-16-20	20	18	50	51	13.5	36	33	24	106	70	136
T-16-25	25	22	54	64	13.5	49	37	30	130	75	160
T-16-30	30	24	67	72	17.5	53	44	35	137	90	177
T-16-40	40	30	83	104	17.5	80	55	45	191	110	236
T-16-50	50	38	101	123	24	94	68	55	234	130	289
T-16-60	60	47	120	144	30	105	82	59	288	150	348
T-16-80	80	58	141	182	33	133	98	78	366	180	436
T-16-100	100	75	165	195	39	140	130	100	390	205	470

T-17

DIMENSION



REFERENCE	EK	EL	EX
T-17-12	12	31	39
T-17-16	16	39	47
T-17-20	20	51	61
T-17-25	25	55	65
T-17-30	30	68	78
T-17-40	40	84	97
T-17-50	50	102	120
T-17-60	60	121	139
T-17-80	80	142	160
T-17-100	100	166	186

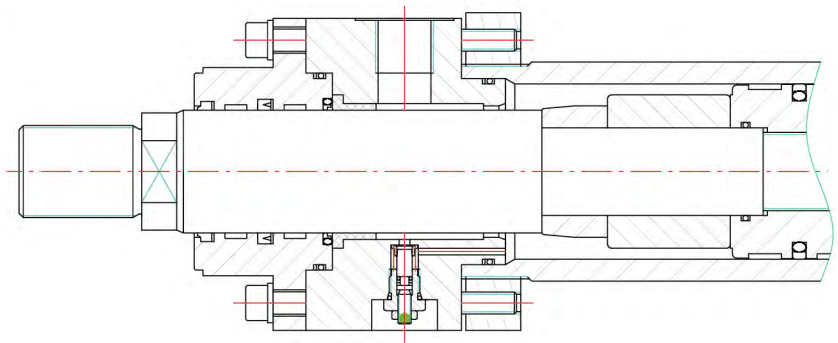
Stop Tube

When compression loads are involved, it's also necessary to consider bearing pressures on rod cartridge and piston and if we want to keep these values within proper limits, it could be necessary to increase bearing length; this is achieved by means of a stop tube between piston and rod cartridge.

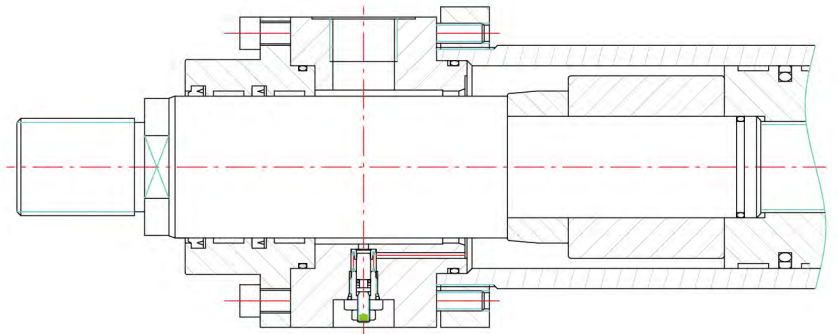
The next table shows different stop tube lengths according to cylinder strokes but sometimes other designs can be supplied according to application requirements; in these cases, please consult factory.

STROKE	STOP TUBE
0 - 1000 mm	0 mm
1001 - 1500 mm	50 mm
1501 - 2000 mm	100 mm
2001 - 2500 mm	150 mm
2501 - 3000 mm	200 mm

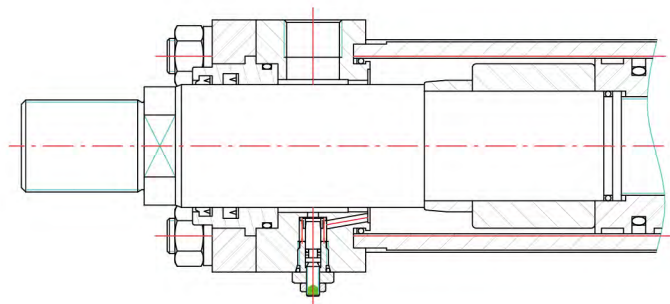
AH Series (ISO 6022)



AK Series (ISO 6020-1)



AT Series (ISO 6020-2)



ASHUN

ASHUN FLUID POWER CO., LTD.

No. 18, Jingke S. Rd., Nantun Dist., Taichung City 40852, Taiwan

TEL: +886-4-23505599

FAX: +886-4-23505511

E-mail: info@ashun.com



www.ashun.com